

THIS DRAWING IS UNPUBLISHED. RELEASED FOR PUBLICATION SEP ,2005.

© COPYRIGHT 2005 BY TYCO ELECTRONICS CORPORATION. ALL RIGHTS RESERVED.

LOC	DIST	REVISIONS					
E	B	P	LTR	DESCRIPTION	DATE	DWN	APVD
		C		ECR-05-011509	21SEP05	JMS	FWK

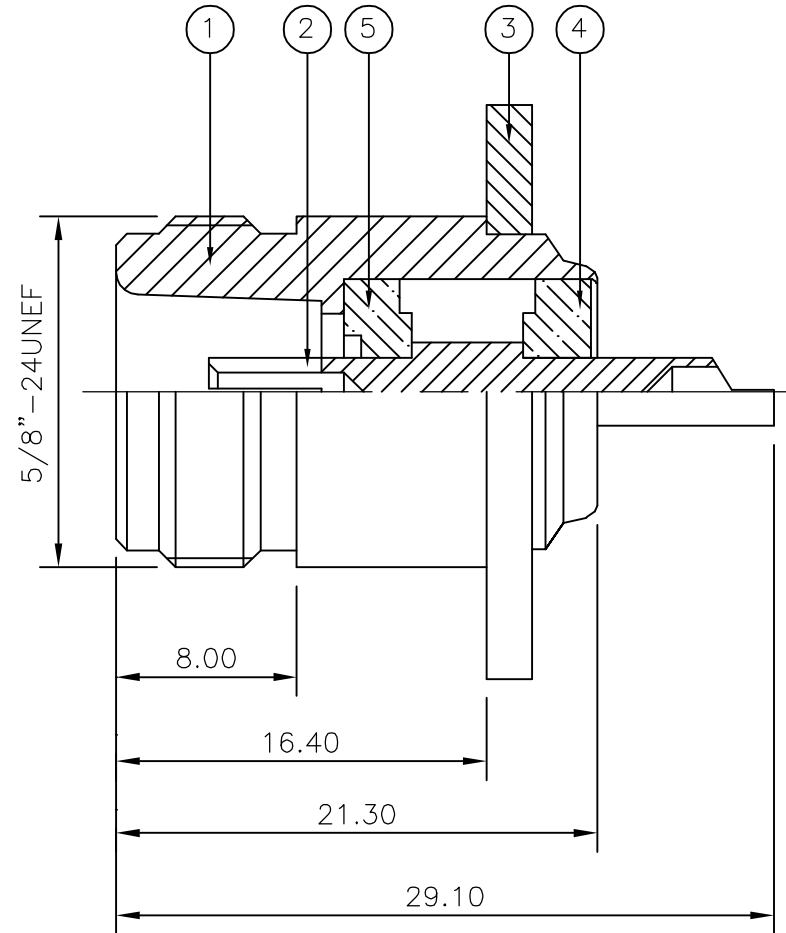
NOTES:

- 1 PACK IN ACCORDANCE WITH AMP SPEC 107-3275
- 2 100 TRAY PACK IN ACCORDANCE WITH AMP SPEC 107-3275
- 3 Ag PLATING
- 4. ELECTRICAL CHARACTERISTICS

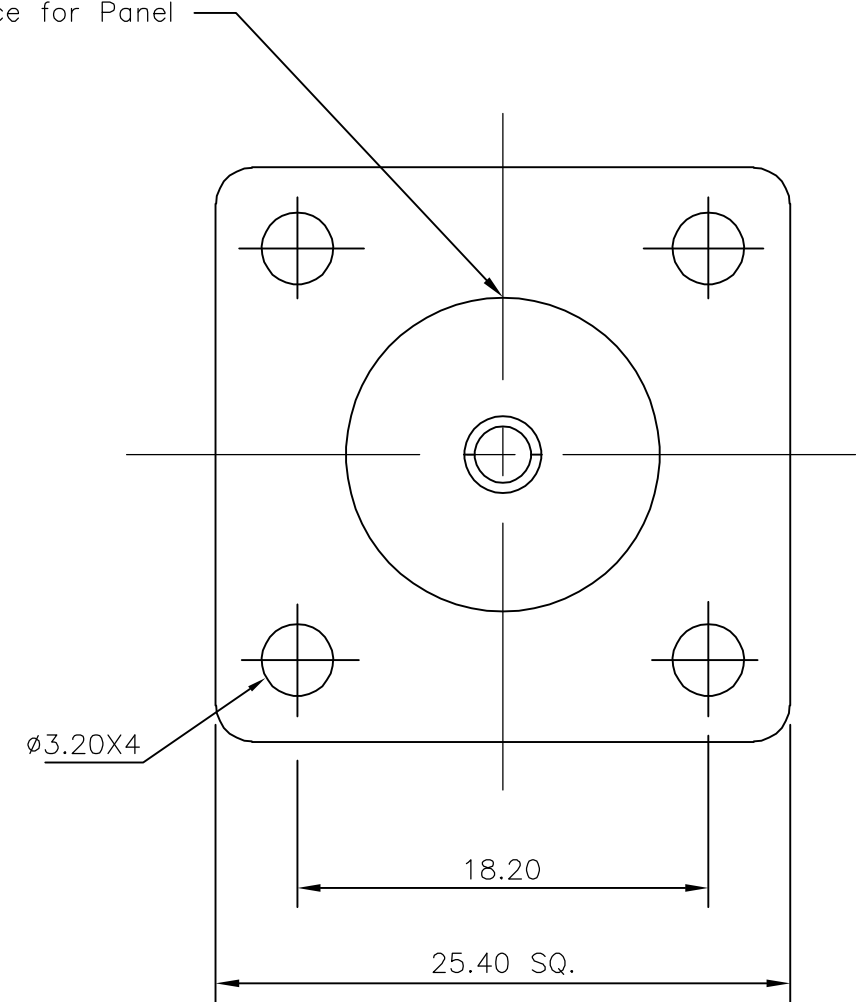
FREQUENCY RANGE:	DC - 11 GHz
NOMINAL IMPEDANCE:	50 Ohm
INSULATION RESISTANCE:	5000 MOhm
WORKING VOLTAGE:	1000 Volts RMS at Sea Level
DIELECTRIC WITHSTAND VOLTAGE:	2500 Volts RMS Max
CONTACT RESISTANCE:	
CENTRE CONTACT:	1.00 mOhm Max
OUTER CONTACT:	1.00 mOhm Max
VSWR @ xGHz:	N/A
INSERTION LOSS xdb:	N/A
- 5. MECHANICAL CHARACTERISTICS

DURABILITY:	500 Cycles Min
-------------	----------------
- 6. ENVIRONMENTAL CHARACTERISTICS

OPERATING TEMPERATURE:	-65 to +165 DegC
------------------------	------------------



16.00 Clearance for Panel Cut Out



	1	1	PTFE	INSULATION	5
	1	1	PTFE	INSULATION	4
	1	1	BRASS	HOUSING	3
	1	1	BRASS	CONTACT	2
	1	1	BRASS	BODY	1
	6--0	1--0	MATERIAL	DESCRIPTION	ITEM

QUANTITY PER ASSY		PARTS LIST			
DWN J.SANDWELL 21SEP05		Tyco Electronics Corporation Bideford EX39 4HE			
CHK S.PARLOW 21SEP05					
APVD F.WHEELER-KING 21SEP05		NAME			
PRODUCT SPEC 108-3435		TYPE-N PANEL SOCKET 50 OHM			
APPLICATION SPEC		-			
SIZE	CAGE CODE	DRAWING NO	RESTRICTED TO		
A3	00779	C-1337418	-		
CUSTOMER DRAWING		SCALE NTS	SHEET 1 OF 1	REV C	

THIS DRAWING IS A CONTROLLED DOCUMENT.	
DIMENSIONS: mm	TOLERANCES UNLESS OTHERWISE SPECIFIED:
	0 PLC ± -
	1 PLC ± -
	2 PLC ± -
	3 PLC ± -
	4 PLC ± -
	ANGLES ± -
MATERIAL SEE TABLE	FINISH SEE TABLE